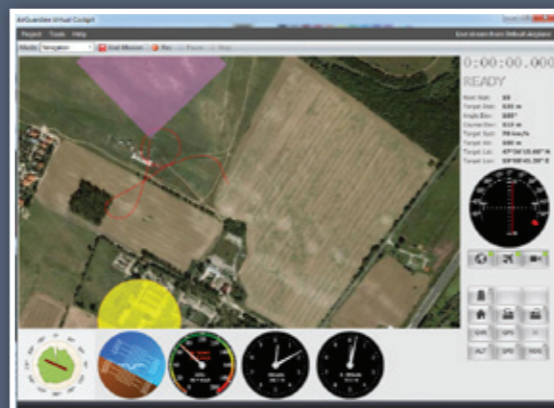


BHE UAV Family

Ground Control Software



- » User friendly GUI with displayed main flight parameters such as speed, altitude, horizon, status of battery, wind map, navigation data and video
- » Easy to use
- » Easy route planning up to 500 waypoints
- » User defined chart or satellite photo for mission tracking
- » Capability of real time mission modification
- » Video capturing and flight route and data logging, storing, playback
- » Further analysis of mission data



BHE UAV Family

Unmanned Aerial Vehicle System



BHE's Unmanned Aerial Vehicle System (UAV) is a Reconnaissance system, that can follow a preprogrammed route while sending real time video signal and position information back to the ground control station.

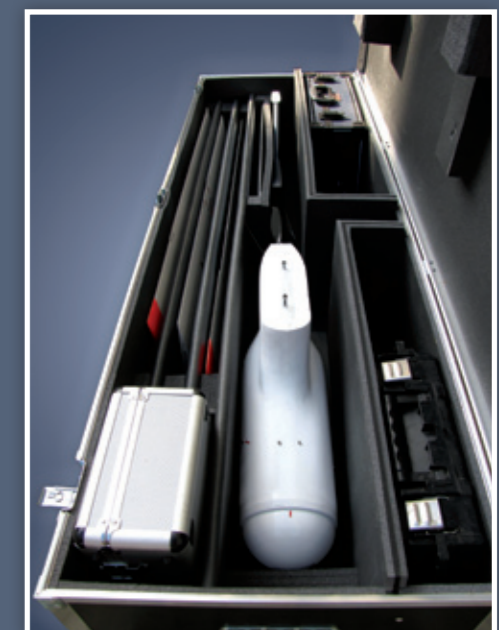
The system can be effectively used by companies to patrol their distant premises or any type of network could it be electric wires, oil pipe-lines or towers. Due to the compact size (length: 1,5m / wing span: 3,15m) and intelligent software different government organizations and emergency services can also take advantage of this new innovation.

Main application areas:

- » Security and maintenance control for companies
- » Natural disaster monitoring such as earthquakes, flood and forest fire
- » Precision agriculture
- » Wild life monitoring
- » Border control
- » Geodesy

The airplane is made using the latest fiber composite technology and equipped with reliable onboard electronics. Several features such as flexible route planning, adaptive communications and control mechanism are built in the system. And it has been designed to allow easy installation and operation keeping the operational cost down.

For more information please visit our website:
www.bhe-mw.eu



BHE Bonn Hungary Electronics Ltd.
 Address: Ipari Park str. 10. Budapest, H-1044 Hungary
 Mail: P.O. Box 164. Budapest, H-1325 Hungary
 Phone: +36 (1) 233-2138, Fax: +36 (1) 233-2506
 E-mail: info@bhe-mw.eu
 www.bhe-mw.eu



BHE Bonn Hungary Electronics Ltd.
 Address: Ipari Park str. 10. Budapest, H-1044 Hungary
 Mail: P.O. Box 164. Budapest, H-1325 Hungary
 Phone: +36 (1) 233-2138, Fax: +36 (1) 233-2506
 E-mail: info@bhe-mw.eu
 www.bhe-mw.eu

BHE UAV Family

BXAP13 UAV features & specifications

BHE UAV Family

BXAP13 UAV features & specifications

BXAP13 UAV features

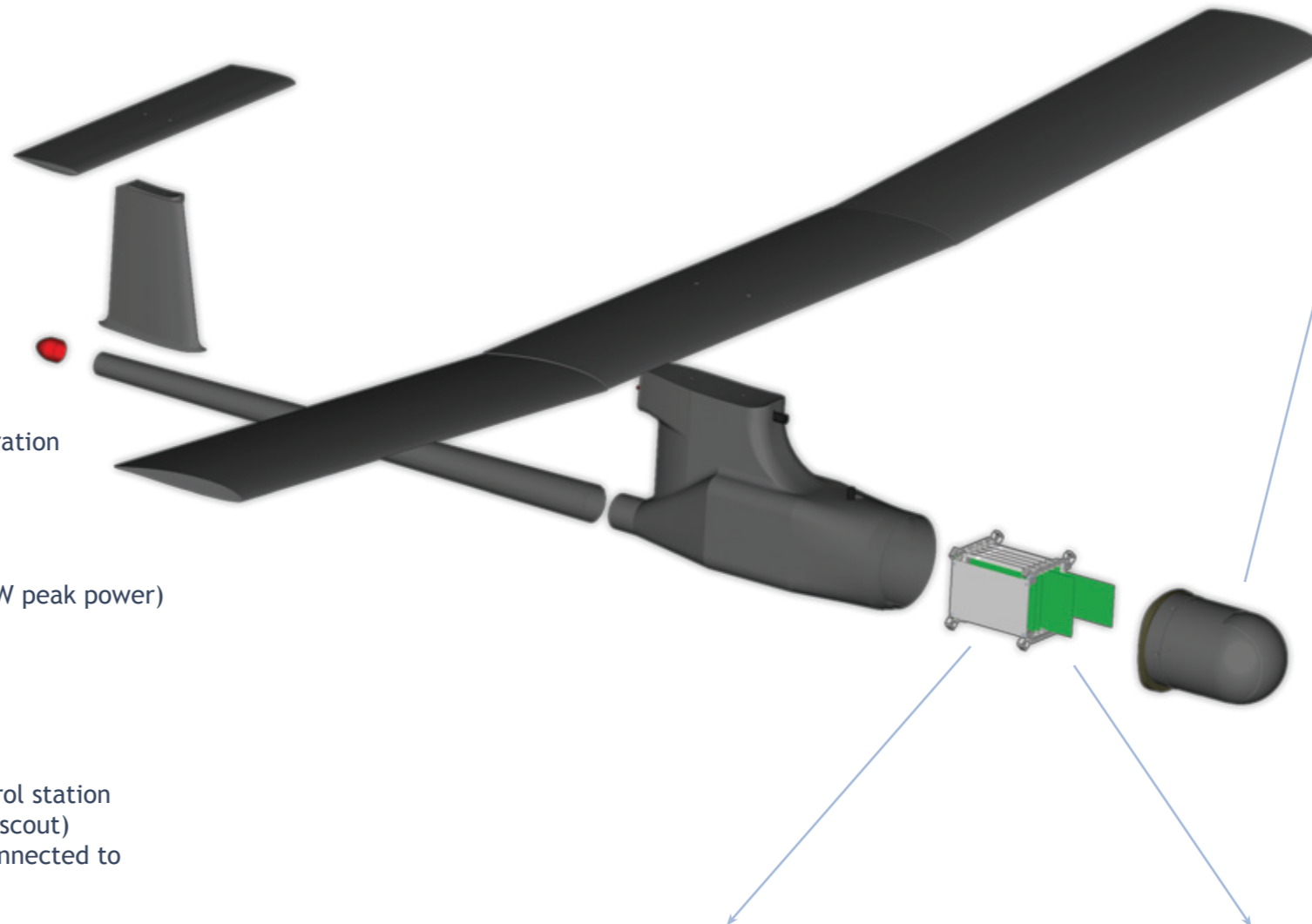
- » 3D CAD design
- » Composite construction
- » Easily transportable
- » Ease of assembly and operation
- » Launch with catapult
- » Recovery without special equipment
- » Dual video stream downlink
- » Robust communication at C band
- » Onboard flight data logging

Specifications

- » Speed: 50-140 km/h
- » Ceiling: min. 1000 m depending on configuration
- » Wing span: 3.15 m
- » Length: 1.5 m
- » Take-off weight: 7.5 kg
- » Endurance: up to 1 hour
- » Propulsion: electric brushless engine (1200W peak power)
- » Payload weight: 3 kg

Ground Control Station

- » Whole system can be operated by the control station
- » Dual operator configuration (navigator and scout)
- » Additional operator workstations can be connected to the control station via network interface



Payload

Default payload:

- » High resolution color camera head
- » Gyro stabilized pan-tilt platform
- » More than 20x optical zoom
- » Digital picture stabilization



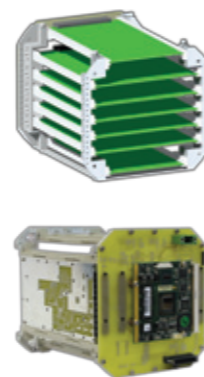
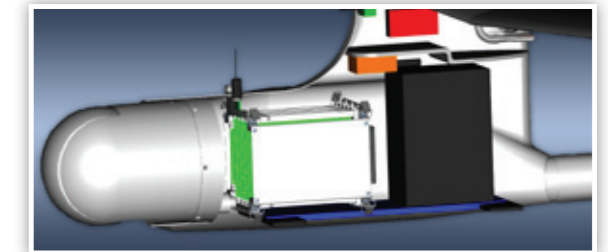
Optional:

Thermal camera:

- » 8-12 μm range
- » 384x288 pixel
- » 16 bit digital data
- » Up to 25 fps

User defined:

- » Other equipment up to 2 kg



Onboard electronics system

- » Rack construction
- » Autopilot
- » Communication unit
- » Video processing unit
- » Data and video logger

Sensors

- » Onboard Galileo-ready GPS module
- » Accurate, high speed 3D inertial navigation sensor
- » MEMS pressure sensors for airspeed and barometric altitude measurement

Autopilot features

- » 32 bit ARM core processor
- » Flight route programming, up to 500 waypoints
- » Real time route/flight parameter modification via serial interface
- » Autonomous onboard navigation
- » Preset flight maneuvers in case of special flight events
- » 3D flight control
- » Onboard flight data logging (black box function)



BHE Bonn Hungary Electronics Ltd.
 Address: Ipari Park str. 10. Budapest, H-1044 Hungary
 Mail: P.O. Box 164. Budapest, H-1325 Hungary
 Phone: +36 (1) 233-2138, Fax: +36 (1) 233-2506
 E-mail: info@bhe-mw.eu
 www.bhe-mw.eu



BHE Bonn Hungary Electronics Ltd.
 Address: Ipari Park str. 10. Budapest, H-1044 Hungary
 Mail: P.O. Box 164. Budapest, H-1325 Hungary
 Phone: +36 (1) 233-2138, Fax: +36 (1) 233-2506
 E-mail: info@bhe-mw.eu
 www.bhe-mw.eu