

**3 Channel S-Band Down Converter**

- **LOW PHASE NOISE**
- **FINE FREQUENCY STEP**
- **LOW INTERMODULATION DISTORTION**
- **DUAL CONVERSION**
- **BUILT-IN HIGH STABILITY INTERNAL REFERENCE**
- **HIGH RELIABILITY**
- **REMOTE / LOCAL CONTROL**

This double conversion down converter is intended for use in professional applications in S band such as satellite earth stations. The 3 inbuilt channel modules allow to serv 3 individual downlink path in one commonr unit. BMCD35 includes high performance down converter modules with low noise local oscillators, microprocessor based monitor and control circuitry, a front panel with control keys and status display and own AC / DC power supply. BMCD35 can be controlled from the front panel (manual control) and via Ethernet (remote control).

Electrical characteristics:

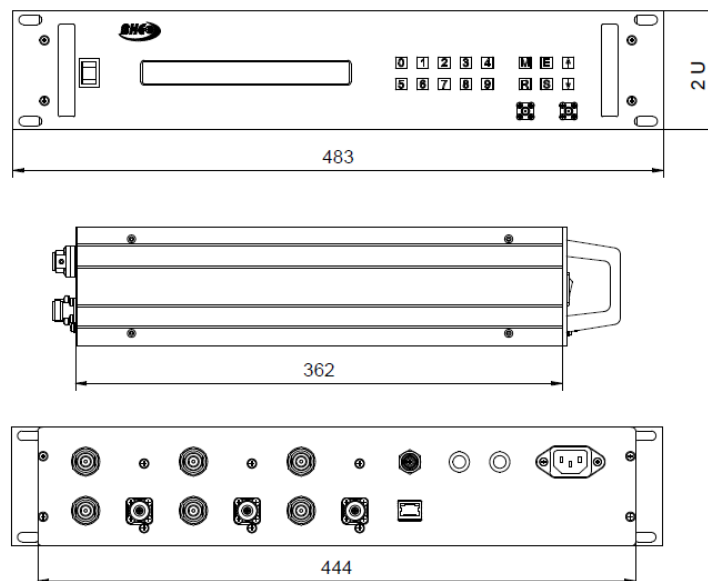
RF Frequency input characteristics	
No. of channels	3
Frequency	2200 to 2300 MHz
Impedance	50 Ohm
Input return loss	≤ -16 dB
Connector	N Female
Intermediate output characteristics	
Number of outputs	2 per channel
Frequency	70 MHz
IF bandwidth	± 20 MHz
Impedance	50 Ohm
Output return loss	≤ -18 dB
Amplitude unbalance between channel outputs	± 0.5 dB max.
Isolation between same channel outputs	25 dB typ., 22 dB min.
Connector	N Female
Transfer characteristics	
Type	Dual conversion
Conversion sense	No inversion
Gain	30 dB typ.
Gain flatness in any 10 MHz	0.5 dB max
Gain adjustment	0 to 30 dB range in 0.5dB step
Output power (P_{1dB})	+10 dBm min.
Frequency step	1 kHz

Continuation on next page.

3 Channel S-Band Down Converter

Spurious output	-60 dBc max., signal related -80 dBm max., signal independent
Image rejection	60 dB min.
Channel to channel isolation	80 dB typ., 70 dB min.
Noise figure	6.5 dB typ. @ max..gain
Third order intercept point	23 dBm typ, 20 dBm min.
Channel to channel differential gain	< 0.2 dB
Phase unbalance between channels	< 3°, over temperature range
Phase noise (typical value)	-83 dBc/Hz @ 100 Hz -98 dBc/Hz @ 1 kHz -100 dBc/Hz @ 10 kHz
Frequency stability	better than ±0.02 ppm@full temp range
Group delay stability	3 ns typ., 5 ns max.
Local leakage	< - 85 dBm
External reference	5 or 10 MHz auto selection, -6 to +6 dBm typ. Int../Ext. ref. automatic change-over
LO1 and LO2 signal monitor	-10 dBm typ. SMA female connectors on front panel
Manual control	Display with functional keys in the front panel
M&C interface	TCP / IP
Controlled parameters	Gain (per channel), Frequency, Frequency step, Memory
Power line supply	230 V AC ± 10%, 50 Hz ± 6% , 32W max.
Physical dimension	19", 2U height
Operating temp.	0 ~ 50 deg C
Weight	7.8 kg.

Specifications are subject to change without notice.

Outline drawing (mm):




BMCD35

3 Channel S-Band Down Converter

Photo



Front view



Rear view