



## 6x6 ATTENUATOR MATRIX

- **6 INPUTS - 6 OUTPUTS MATRIX**
- **700 - 2700 MHz OPERATION**
- **60 dB ATTENUATOR RANGE**
- **ETHERNET CONTROLLABLE**

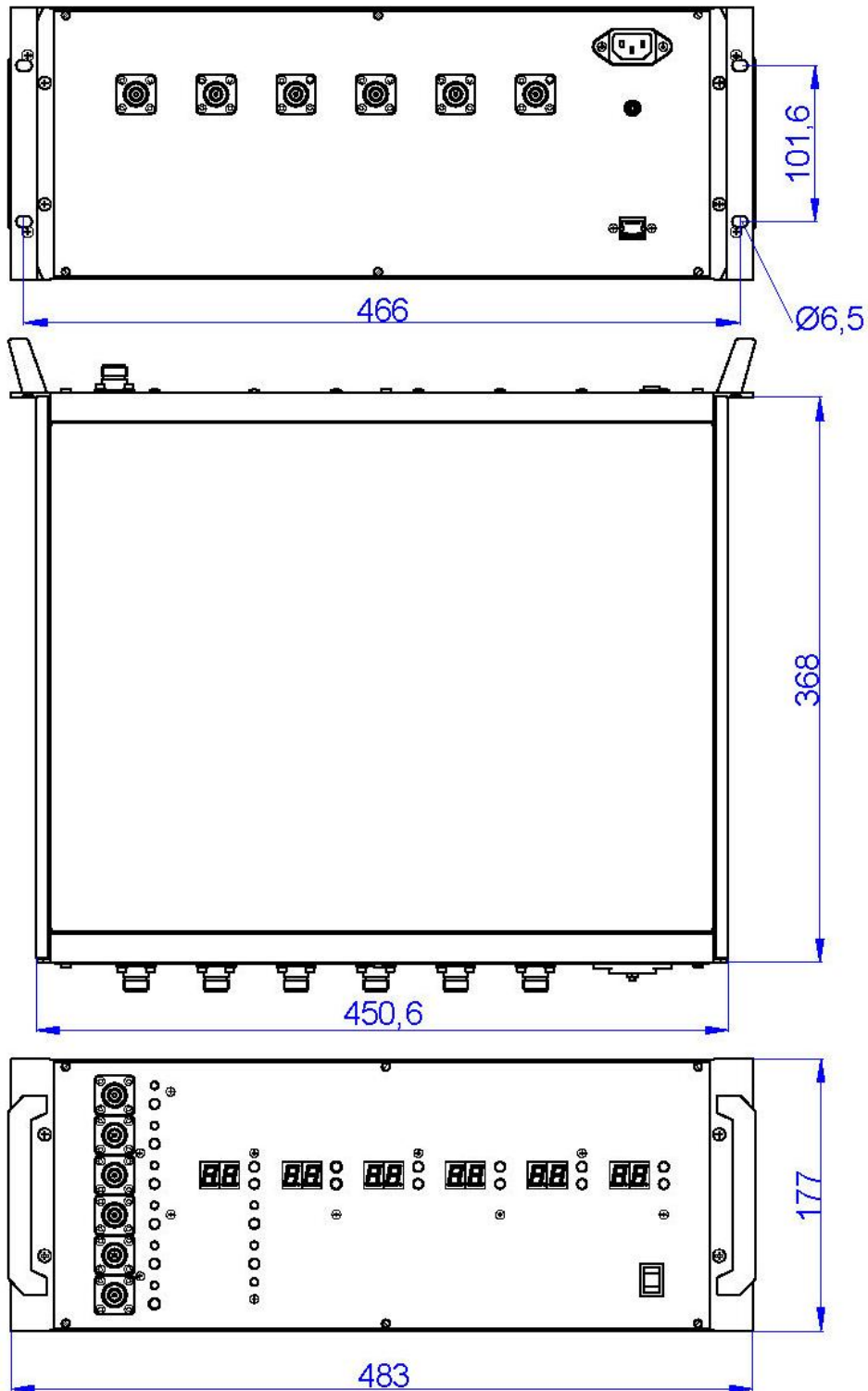
This attenuator matrix is designed for multi-band GSM/DCS/UMTS/WIFI/LTE applications. It is capable to direct signals from the six input ports to any outputs by attenuating the signals of interest manually or under remote control. It is an ideal tool for handover tests and automated measurements. Thanks to the high RF isolation between the outputs and the high dynamic range this device is recommended for professional purposes.

The instrument is housed in a 19" rack mountable cabinet to make system measurements easy.

### Electrical characteristics:

Operating Frequency Range	700 MHz – 2700 MHz
Attenuation Range	60 dB (50 to 110dB)
Step	1 dB
Level Accuracy	± 1 dB typ. @ 950 MHz
Output Power Level @ 0 dB (min) Attenuation	-50 dBm @ 0 dBm input level
RF Isolation	> 50 dB
max. Power Input (no damage)	30 dBm
Supply Voltage	230 V/50 Hz AC (<50W)
Operating temperature	+10 .... +40C°
RF Input Connectors	N – female @ rear panel
RF Output Connectors	N – female @ front panel
Remote Connector	RJ-45 @ Ethernet
Outline Dimension (mm)	19" Wide, 4U High, 400mm Depth

Outline drawing:





**BUAW12**

**6x6 ATTENUATOR MATRIX**

**Picture**

