



---

**X-BAND OUTDOOR 1:1 REDUNDANT  
SOLID STATE POWER AMPLIFIER**

- **200W RF POWER**
- **1:1 REDUNDANT CONFIGURATION**
- **FULL REMOTE M&C**
- **HIGH RELIABILITY**

This solid state power amplifier is intended for use in satellite communications systems as uplink SSPA. It consists of two identical amplifier plus a redundancy switch and control circuitry. The SSPA can be fully remotely monitored and control via the built-in RS-485 or LAN port.

**Electrical characteristics:**

Frequency Band	7145 – 7235 MHz	
RF Output Power	53 dBm @ Psat	
Power Gain	60 dB min. @ P1dB	
Gain Flatness	± 1 dB @ full band ± 0.5 dB @ any 10MHz	
In/Out Impedance Nominally	50 Ohms	
RF Input Interface	N-female	
RF Output Interface	WR-137 (sealed)	
Input VSWR	< 1.5 : 1	
Output VSWR	< 1.5 : 1	
Gain Adjustment Range	min. 20 dB	
Gain Adjustment Step	0.5 dB typ.	
Harmonics @ P1dB	< -60 dBc	
Spurious @ P1dB	< -60 dBc	
Noise Figure	< 8 dB	
AM/PM Conversion @ P1dB	3°/dB max.	
AM/PM Conversion @ 3dB backoff	1°/dB max.	
Two Tone Intermodulation Distortion (1MHz spacing)	< -25 dBc @ 50dBm	
Group Delay	Linear	0.01ns/MHz
	Parabolic	0.003ns/MHz <sup>2</sup>
	Ripple	1ns (peak to peak)
Power supply	200-260 VAC; 45-55 Hz	
Remote Control	RS485 or Ethernet	
Cooling	Forced Air	
Operating temperature range	0 to +55 °C (option: -40 to +60°C)	

**Datasheet Ver. 1.5 / 20210601**



# X-BAND OUTDOOR 1:1 REDUNDANT SOLID STATE POWER AMPLIFIER

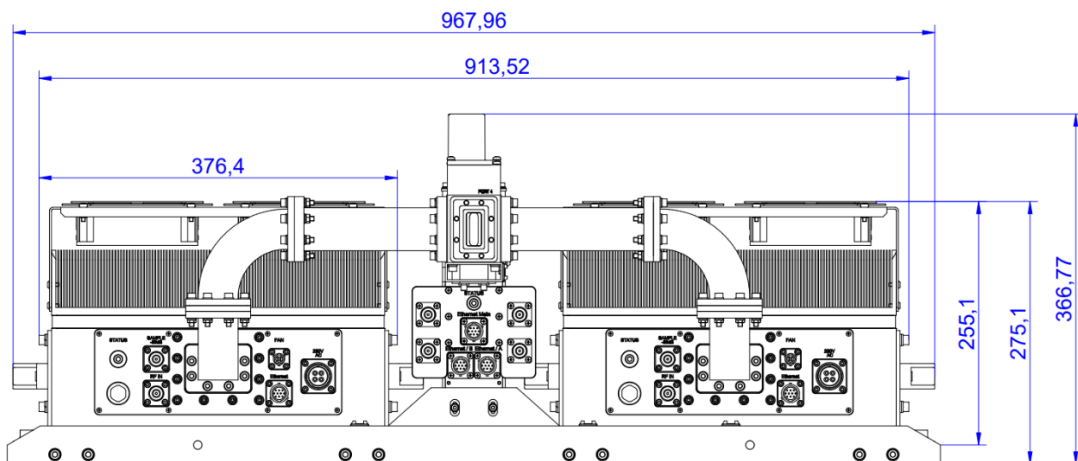
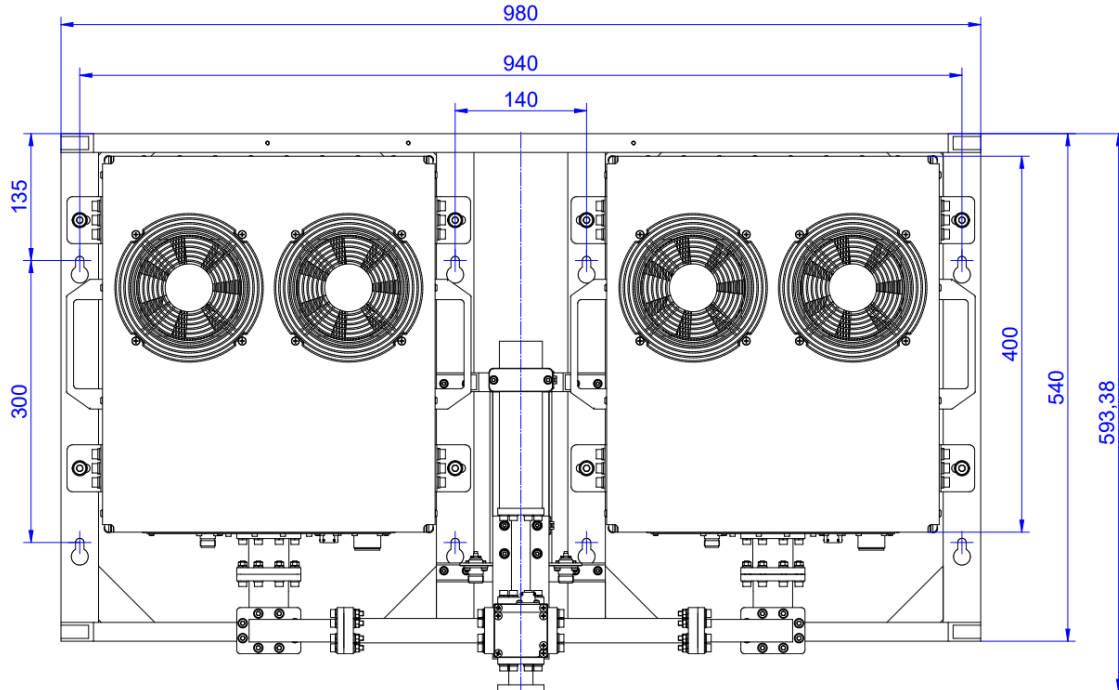
**Control software summary screen:**

Datasheet Ver. 1.5 / 20210601



## X-BAND OUTDOOR 1:1 REDUNDANT SOLID STATE POWER AMPLIFIER

### Outline dimensions (mm):



Datasheet Ver. 1.5 / 20210601