

**500W SINGLE S-BAND OUTDOOR  
POWER AMPLIFIER**

- **500W OUTPUT RF POWER**
- **STABLE OUTPUT POWER OVER TEMPERATURE**
- **ETHERNET OR RS485 M&C INTERFACE**
- **ROBUST CONSTRUCTION**

This solid state power amplifier is intended for use in S band satellite communications systems as uplink SSPA. It is to be installed directly to the antenna. The outdoor construction protects the amplifier against harsh environmental conditions. The SSPA can be fully remotely monitored and control via the built-in Ethernet interface. 1:1 hot redundant arrangement increases the reliability of the system.

**Electrical parameters**

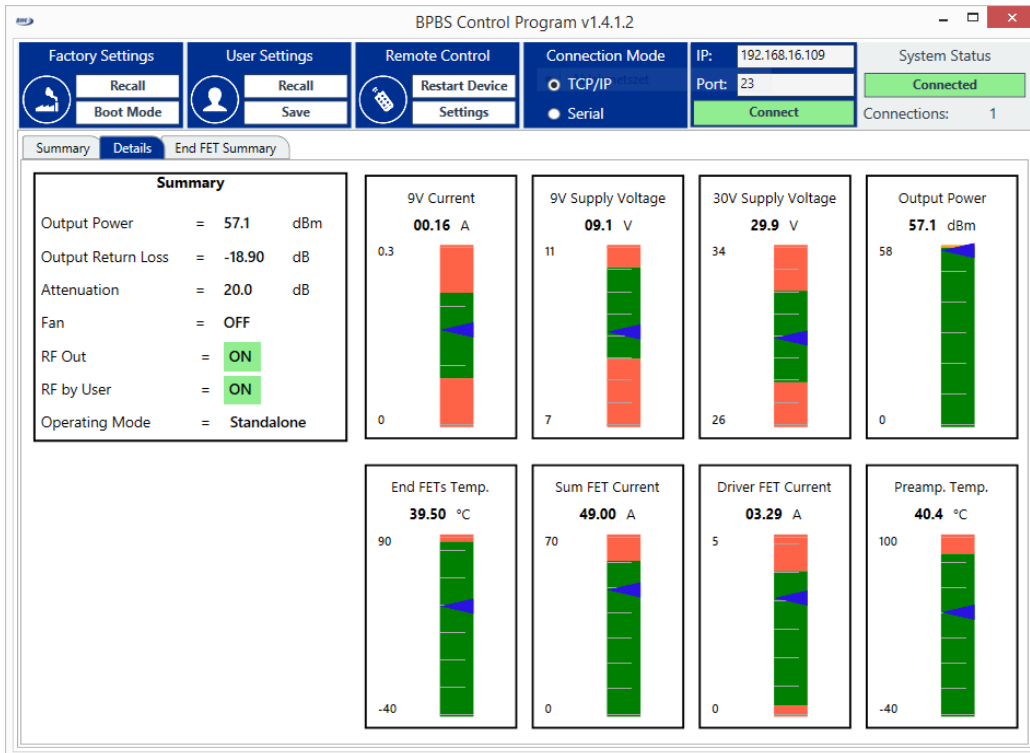
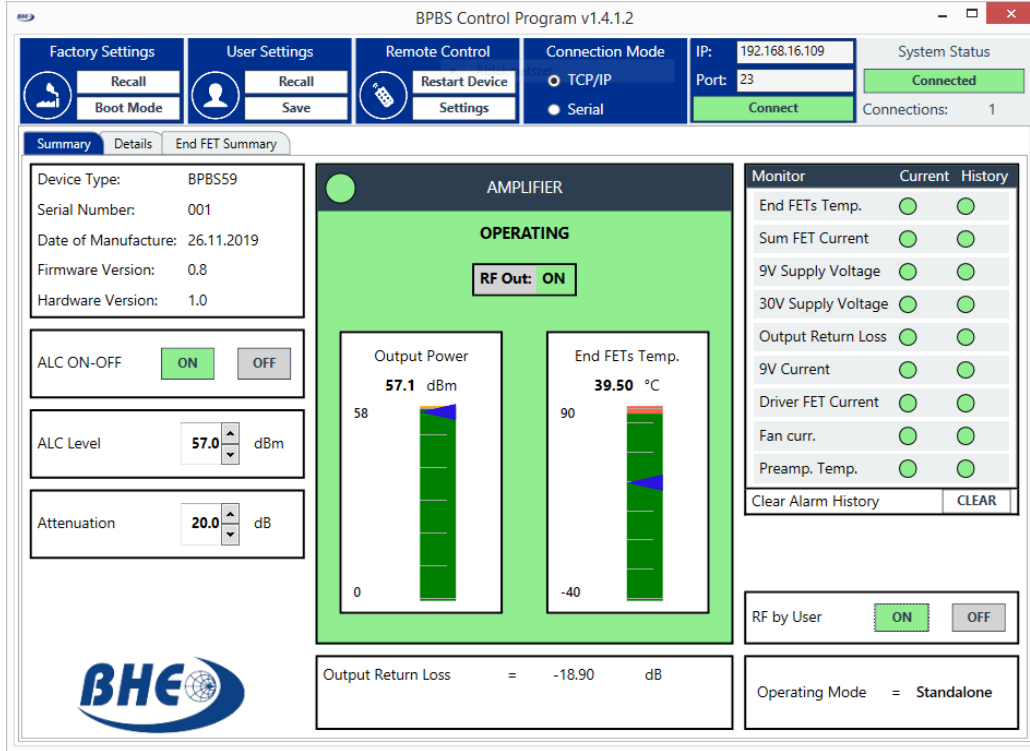
<b>Specification</b>	<b>Parameter</b>
Frequency Band	2025 – 2120 MHz
RF Output Power	57 dBm (500W) @ P1dB
Power Gain	75 dB min.
Gain Slope	± 0.1 dB/10 MHz max.
Gain Flatness	± 0.5 dB
Output Power Stability vs. Temp (ALC ON)	± 1 dB(-40°C to +60°C) max.
ALC Control	20 dB min.
AM/PM Conversion @ P1 dB	2.5°/dB max.
In/Out Impedance Nominally	50 Ohms
Input VSWR	< 1.3 : 1
Output VSWR	< 1.4 : 1
Output Noise In Band 2.2-2.3 GHz with filter (*)	< -125 dBm/Hz @ 2200MHz (filter characteristics can be improved upon request)
Gain Adjustment Range	min. 20 dB, typ.25 dB
Gain Adjustment Step	0.1 dB typ.
Harmonics @ P1 dB-3 dB	< -60 dBc
Spurious	< -80 dBc
Group Delay Variation (linear)	< 0.03ns / MHz with filter
Noise Figure (redundant system)	< 8 dB
Noise Figure (standalone system)	< 3 dB
Intermodulation Distortion @ 2 x 51 dBm Pout	< -25 dBc
MTBF	> 100 000 Hours
M&C interface for local control panel	Ethernet (option: RS485)
Connectors	RF IN: N-Female RF OUT: 7/16 Female RF OUT SAMPLE: N-Female M&C: Cylindrical (metal house) AC IN: Cylindrical (metal house)
Power supply	100-260 V; 47-63 Hz
Operating temperature range	-40°C to +60°C
Mechanical dimensions	Approx. 230 x 420 x 605mm
Weight	45kg

(\*) Current specification. Any changes shall be discussed and agreed separately. Based on the changes the price may change.



# 500W SINGLE S-BAND OUTDOOR POWER AMPLIFIER

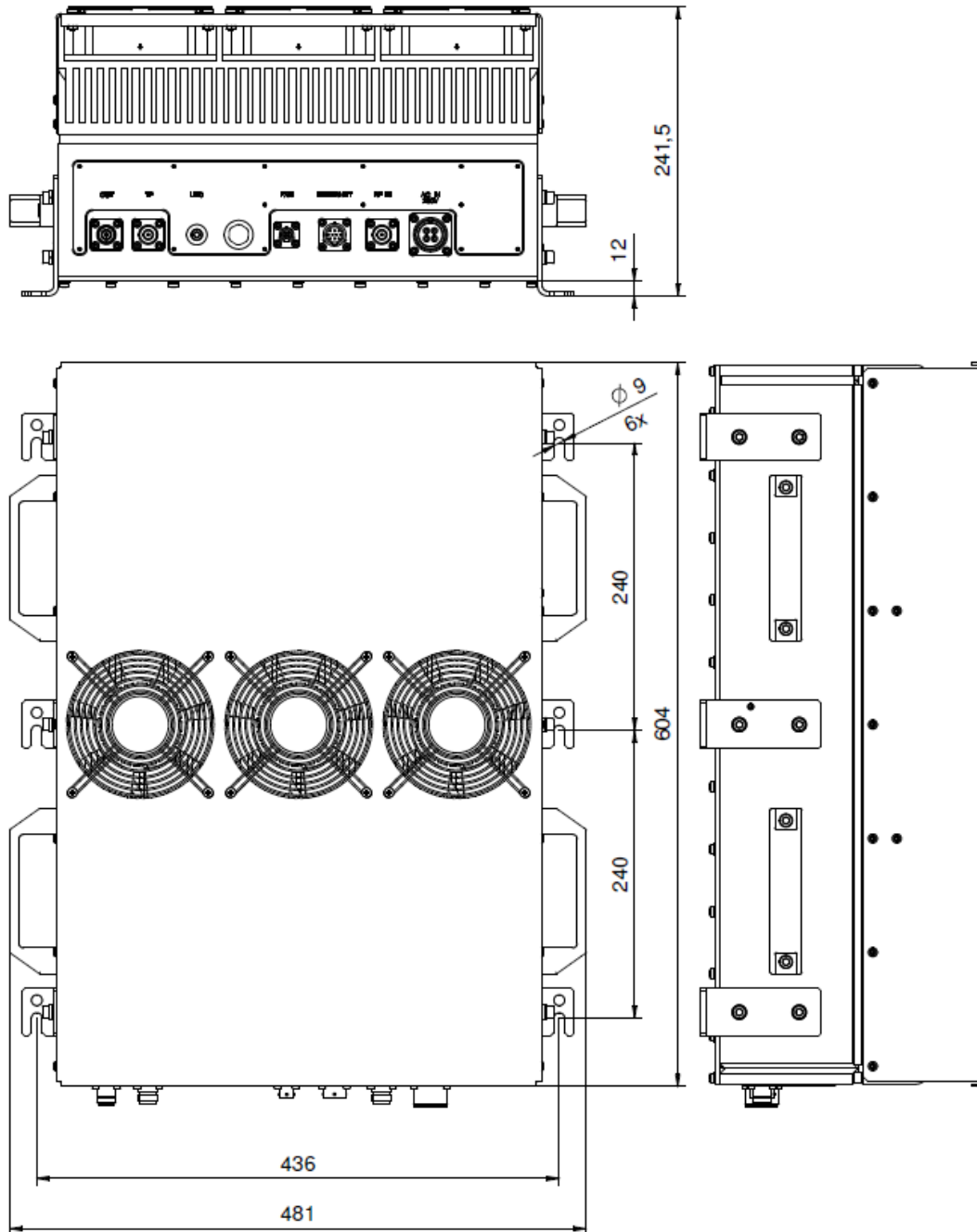
## Control SW screenshots:





**500W SINGLE S-BAND OUTDOOR  
POWER AMPLIFIER**

**Outline drawing (mm):**





**BPBS59**

---

**500W SINGLE S-BAND OUTDOOR  
POWER AMPLIFIER**

**Product photo:**

