



200 to 400 MHz 200W POWER AMPLIFIER

- **200 W CW OUTPUT POWER**
- **CLASS “AB” OPERATION**
- **COMPACT SIZE**
- **OVER-TEMPERATURE PROTECTED**
- **LINEAR FORWARD POWER DETECTION**
- **AUTOMATIC LEVEL CONTROL**

This High Power Amplifier is intended for use mainly in broadband high power linear applications. It's compact size, high efficiency and well isolated RF output guarantee long trouble free operation. Wide range of monitored and controlled parameters provides detailed status information for the user.

Electrical characteristics:

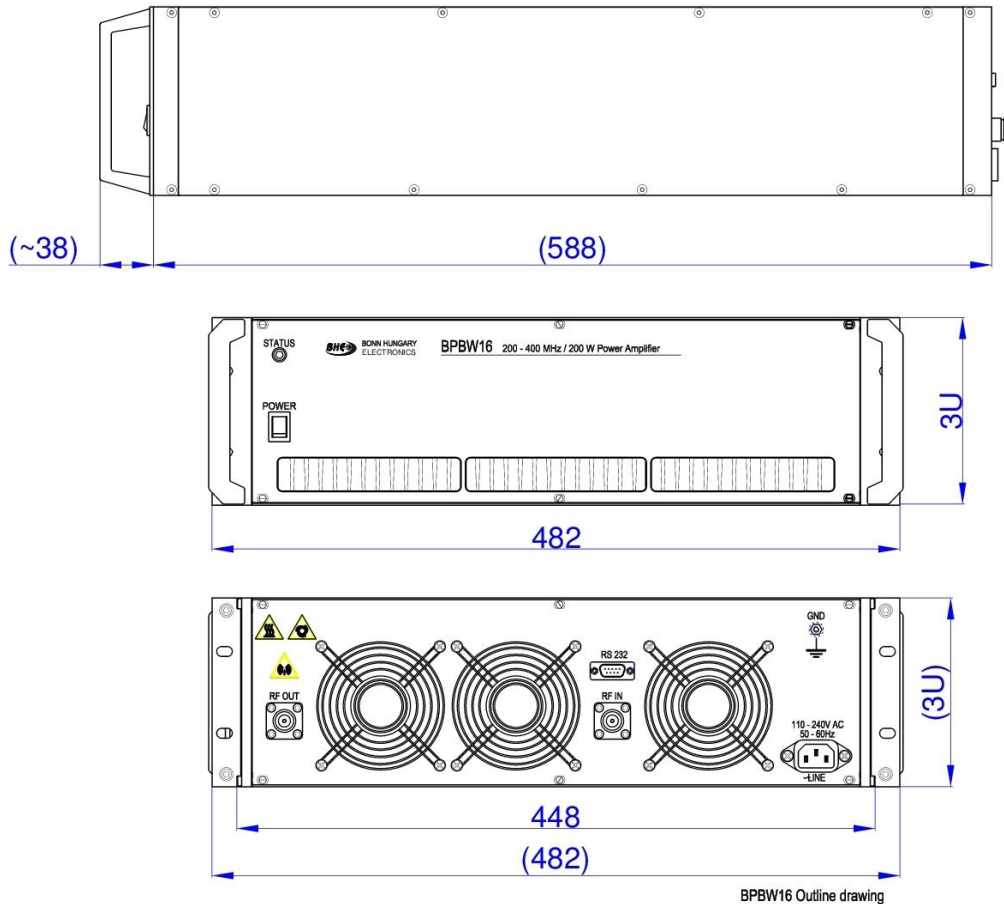
Frequency Band	200 to 400 MHz
Output Power @ P1dB	53 dBm (200 W) min. , 54dBm (250W) typ.
Nominal Gain	55 dB
Flatness	+/-1dB @ ALC ON
Input power for rated output	0dBm
Maximum input power	+15dBm
Gain adjustment range	30dB @ 0.5dB step
Input and Output Impedances	50 Ohms
Input and Output VSWR	2.5:1
RF Input Connector	N-F
RF Output Connector	N-F
Power Supply	200-260VAC; 45-55Hz, 1000W
Protections	Against high load mismatch, high temperature, overdrive
Remote control	RS 232/RS 422/Ethernet
Front panel LCD	optional
Cooling	Forced air with inbuilt fans
Operating Temp. Range	0 to +50°C
Humidity	95% RH Non Condensing
Outline dimensions	484 x 133 x 585 mm
Weight	approx. 20kg
MTBF	130 000 hours



BPBW16

200 to 400 MHz 200W POWER AMPLIFIER

Outline dimensions (mm):





BPBW16

200 to 400 MHz 200W POWER AMPLIFIER

Picture:

