



- **HIGH OUTPUT POWER**
- **LOW DISTORTION**
- **3U HIGH MODULES**
- **FIT INTO 19" RACK**

BRRV15 is the amplifier part of BHE's VHF solution. It can be operated as single units to amplify the whole respective band, while connecting it in a chain with the relevant channel unit (BRRV14), only the selected channel is amplified. One amplifier can serve several channel module. Placed in a modern rackmount box, this unit can be combined with BHE rackmount TETRA repeaters fulfilling the various communications need of special places like tunnels or underground stations.

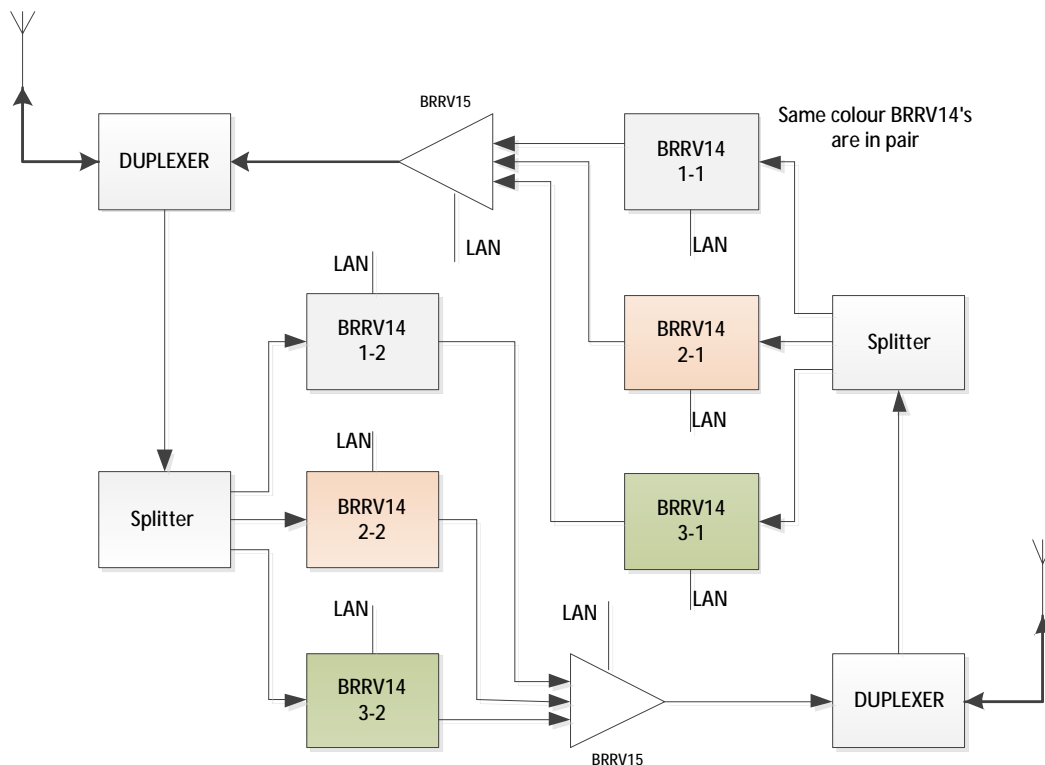
Electrical characteristics:

| Specification | BRRV15 VHF amplifier |
|---|-------------------------------------|
| Input characteristics | |
| Frequency range | 148 – 174MHz |
| Input VSWR (all inputs) | 1.2:1 |
| Number of input ports | 3 independent, combined inside unit |
| Input level | +16dBm maximum per input |
| Output characteristics @ High power output | |
| Number of ports | 1 |
| Max. Gain | +26dB typical |
| Programmable attenuation | 0 – 25dB- |
| Gain step | 0.5dB |
| Output 1dB compression@+25°C | +35dBm typical |
| Output IP3 (inband, two signals, Δf=1MHz)@+25°C | +52dBm typical |
| Gain flatness | <2dB |
| Gain variation | <2dB |
| Harmonics | <-80dBc |
| Output VSWR | 2:1 |
| Output characteristics @ Low power outputs | |
| Number of ports | 2 |
| Gain | +5dB typical, fixed |
| Output 1dB compression@+25°C | +22dBm typical |
| Output IP3 (inband, two signals, Δf=1MHz)@+25°C | +38dBm typical |
| Gain flatness | <1dB |
| Gain variation | <1dB |
| Output VSWR | 1.4:1 |

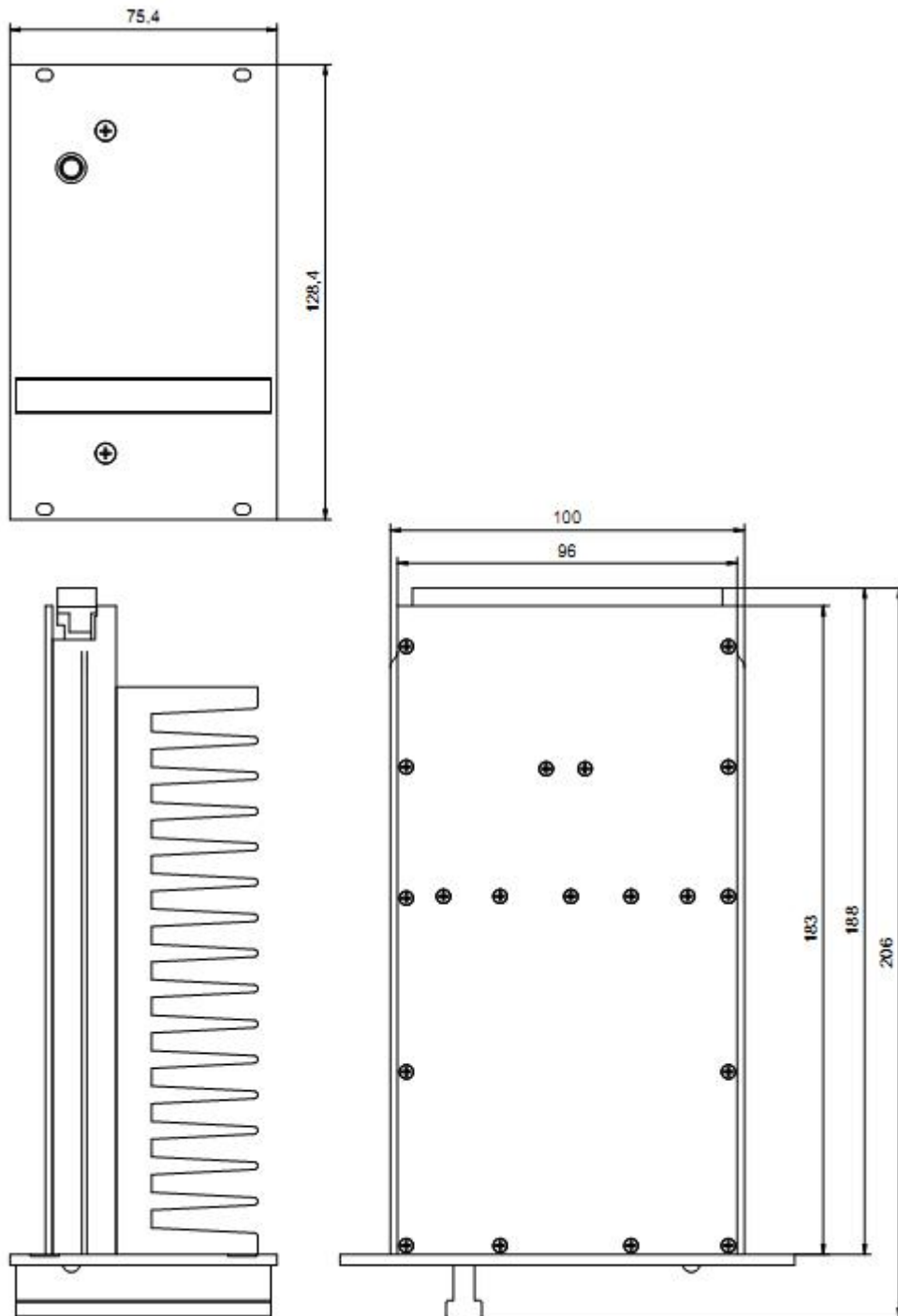


| Specification | BRRF15 FM Broadcast amplifier | BRRD15 DAB amplifier |
|---|--|-------------------------|
| Other parameters | | |
| Control and monitoring | via LAN, SNMP Web server | |
| Connector | DIN41612 type, 42 pins+6 coaxial, | |
| Digital Input/Output | Mute/Alarm | |
| Double Colour Status LED on front panel | RED at Alarm, GREEN in normal operation | |
| Monitoring | Output RF power (reflected and forward) Internal DC voltages, Temperature | |
| Supply current | 1600mA typical @ +12V | |
| Operating temperature | -20°C ... +60°C | |
| Dimension | 188 x 100 x 60mm (without front cover) 15TE wide module, mountable in 3U high, 19" rack | |

VHF duplex system with BRRV15&BRRV14 units



Outline dimensions (mm) (front, side and top view)





BRRV15

VHF AMPLIFIER MODULE

Picture of BRRV15:



In rack:

