



DIGITAL RADIO ALTIMETER

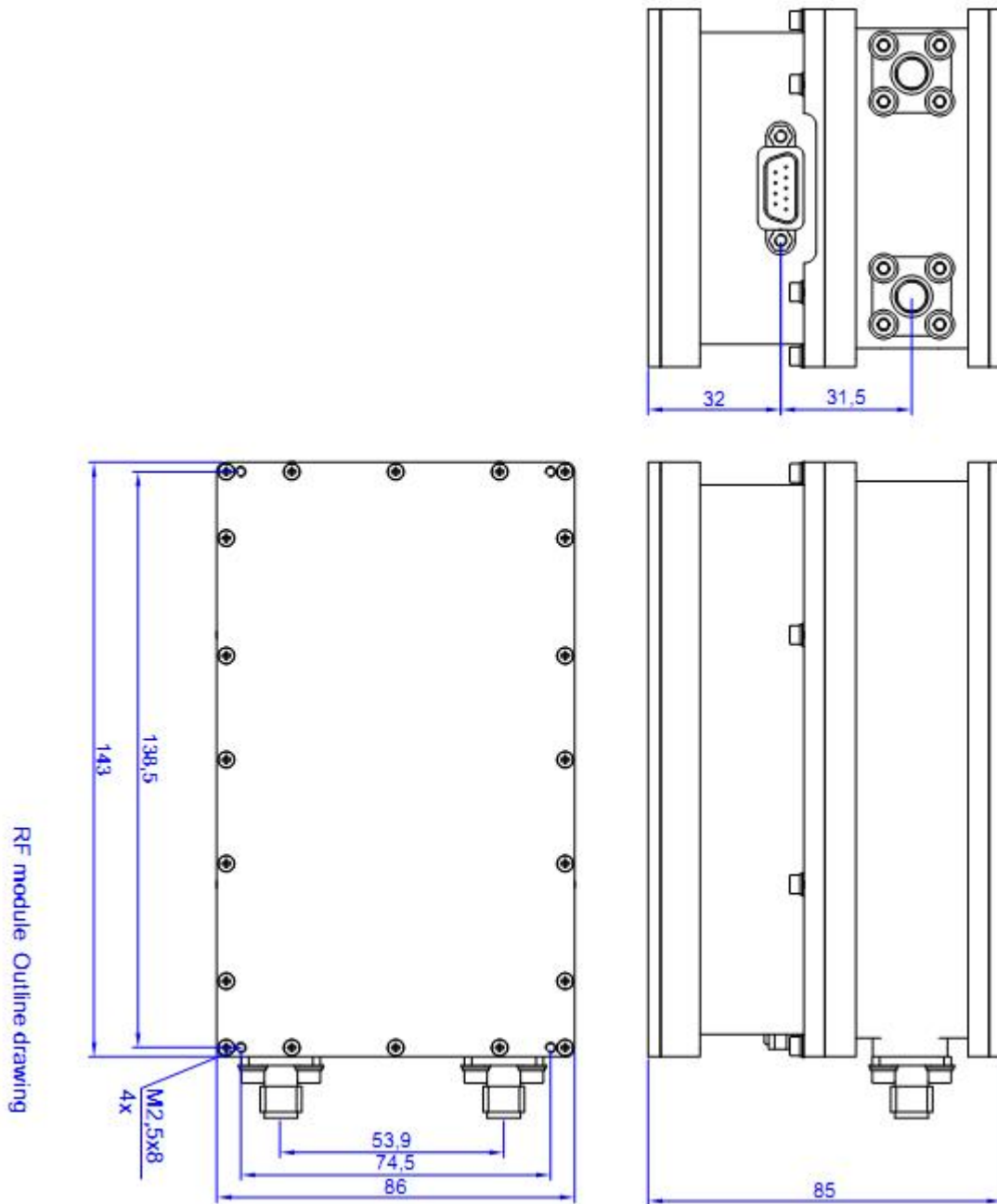
- **HIGH ALTITUDE RANGE**
- **FMCW OPERATION**
- **HIGH ALTITUDE UPDATE RATE**
- **DIGITAL SIGNAL PROCESSING**
- **SMALL SIZE**
- **WATERPROOF DESIGN**

The BUAC12 is a high quality radio altimeter intended for use in true altitude over ground measurement of fixed and rotary wing aircrafts. FM-CW operation ensures high altitude accuracy and resolution. Digital signal processing applied for a more reliable operation. High altitude update rate makes this altimeter ideal in unmanned aircraft (UAV) altitude control loops.

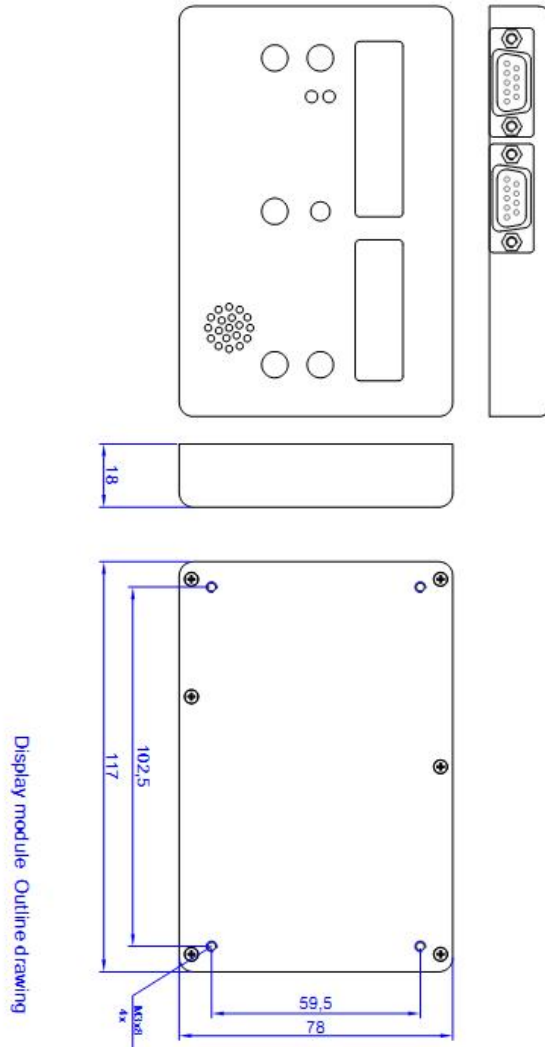
Electrical characteristics:

Altitude range	0 – 2000 meters
Altitude resolution	0.125 meters
Altitude accuracy	better than 0.6 m @ 0 to 30m better than 2 % @ 30 to 2000 m
Altitude update rate	50 readings/second
AID	configurable
Frequency range	4.25 – 4.35 GHz
Frequency sweep range	100 MHz
RF output power	20 dBm max.
Data interface	RS-422
LED display	Optional
RF connectors	TNC FEMALE
Data and power supply connector	DSUB-9 male Optionally Socapex® connector
Supply Voltage	+28V DC (other option is possible)
Operating Temp. Range	-40...+85 °C
Mechanical Size	approx. 90 x 90 x 150 mm
Weigth	approx. 1.5 kg

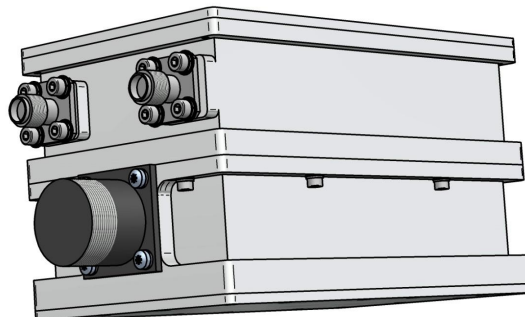
Outline dimensions (mm):



DIGITAL RADIO ALTIMETER



Drawing of Socapex® connector option:



Picture:



UAV flight test results:

