



SHIELDED ENCLOSURE BTSB 50.40.20

The 500 x 400 x 200 (l*w*h mm) size stainless steel box ensures 60dB isolation from the RF environment. It is designed for simultaneous tests of 3 cell-phones via filtered USB2.0 line in the frequency range 880-2500MHz. Notebook with cell-phone modem placed inside can be tested via filtered 10 Base-T Ethernet line. The tester Notebook can be placed outside the shielded box.

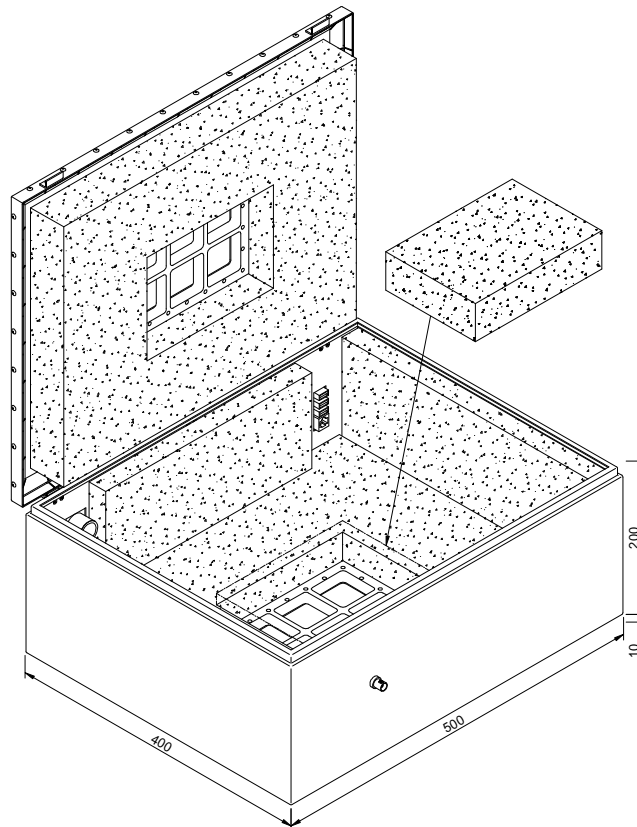
Construction:

The box's door is the top cover with double row of finger spring contacts to the bottom part. The thru ventilation is provided via the bottom honeycomb vent and the metal lattice assembled to the bottom side of the box's door. The switches and the touch screen of cell-phones can be manipulated with a non conductive piece of stick thru this lattice.

The inner surfaces are lined with semi transparent absorbing material that lets thru the air flow. The line filters (3*USB + Ethernet) are implemented in the same filter box. Internal 12V DC power is available from 3 car cigar lighter socket within the DC filter assembled over the back wall of the shielded box.

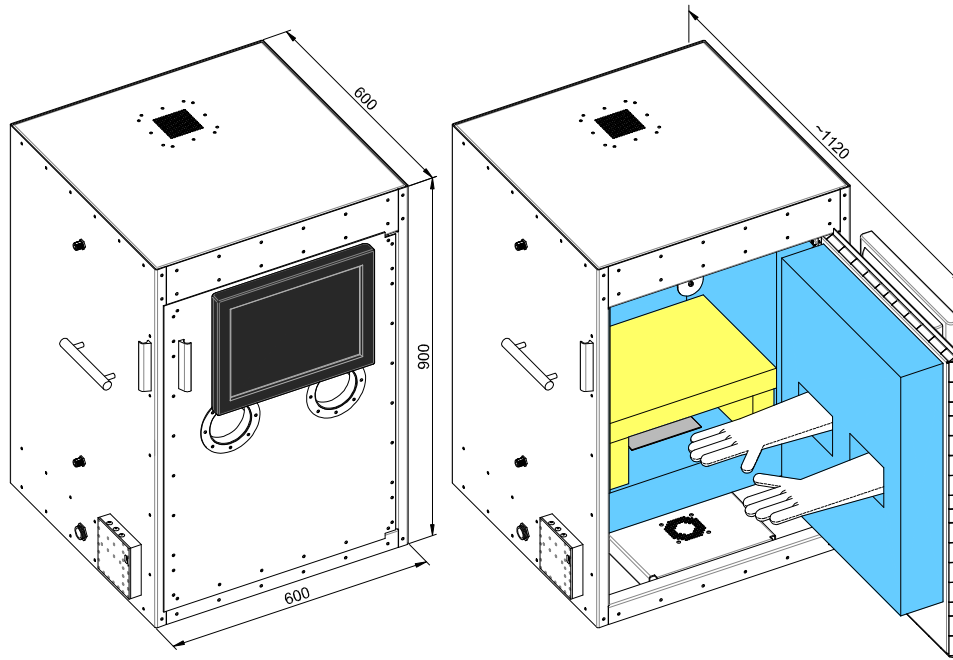
Fan assembly is accessory that can be easily fastened on the top of the door. For the fan 5.5/2.1 dia. socket is available for 12V DC on the DC filter's hosing beside the pair of banana socket of the accessory 230V AC/12V DC 10A power supply input.

On the front side and on the right short side there are coaxial N connectors for 2 built in antenna. Connectors of the USB 2.0 filter are as follows: outer socket USB-B, inside socket USB-A.





BTSS 60.60.90 MIMO test chamber



It is designed and offered MIMO test chamber shielded and RF absorber lined for evaluation of the latest touch screen mobile phones. The icons on the mobile phones' screen can be touched via manipulator gloves made of metalized fabric and the manipulation can be followed on the monitor mounted on the front door (see the photos).

It is possible to test in parallel three mobile phones placed on the foam table inside the chamber under the digital USB microscope. The picture of the microscope and the controlling signals of the three mobile phones are transmitted by a notebook placed under the absorber lined space.

Possibility of optical connection is provided between this notebook and one other outside that controls the tests. The notebook and two mobile phones placed inside the chamber can be powered (charged) from 12V DC via standard car cigar lighter sockets (3 pieces).

Further connectors are also available on the filter's housing (see left wall of the chamber):

- 9V DC outside and inside on 3.5 size mono jack socket for powering optical Ethernet converter,
- 12V DC on 5.5/2.1 dia. socket and 5V DC on 5.5/2.5 dia. socket are inside the chamber.
- USB-A socket is provided for the USB microscope inside and outside
- 9p DSUB plug for 12V and 5V DC connection

Main technical performances:

Absorber lined 600x600x900mm aluminum cabinet with forced DC fan cooling.

Test Frequency Range 880-2500MHz

Antenna Connectors N female 2 pcs

Shielding Isolation 60dB min.

Reflectivity Inside -15dB max.

230V (or110V) Mains to DC converter* 12V/5A, 5V/10A

*Standard accessory with 9p DSUB socket



BHE Bonn Hungary Electronics Ltd.

Microwave & RF Development & Manufacturing

🏠 H-1044 Budapest, Ipari Park Str. 10. Hungary * H-1325 Budapest, P.O.Box 164. Hungary

☎ +36 1 233 2138 📠 +36 1 233 2506 www.bhe-mw.eu info@bhe-mw.eu

